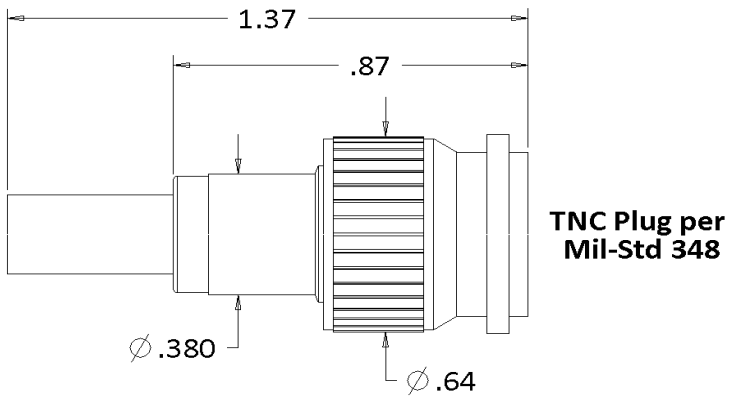


PIC Wire & Cable	Connector Specification	P/N 150108
A Division of the Angelus Corporation Ph (262) 246-0500 Fax (262) 246-0450 www.picwire.com W220N1051 Springdale Rd, Waukesha, WI 53186	Approved : FMB	Date : 10/05/22
	Distribution : USER	Rev. 5 (07/21/23)
		Uncontrolled if Printed

**TNC 50 Ohm Straight Plug
for UH44193**



Features Not Shown : Safety Wire Holes, Gasket in Front

PERFORMANCE

Nominal Impedance :	50 Ohms
Frequency Range :	0 - 12 GHz
Voltage Rating :	500 V(rms)
Insulation Resistance :	5000 Megohms
DW Voltage :	1500 V (rms)
Insertion Loss (max) :	0.20 dB max @ 12 GHz
Insertion Loss :	0.06 $\sqrt{F(\text{GHz})}$
Temperature Rating :	-65° to +165° C

CONSTRUCTION

Materials:	
Body	Brass, ASTM-B16, Alloy UNS 36000, H02
Outer Contact	Beryllium Copper, ASTM-B196, Alloy UNS C17300
Cable Contact	Brass, ASTM-B16, Alloy UNS 36000, H02
Ferrule	Brass, ASTM-B16, Alloy UNS 36000, Dead Soft, Or Copper, ASTM-B152, Alloy C12200 Or Tellurium Copper, ASTM B301, Alloy C14500, H02
Dielectric	TFE Fluorocarbon, ASTM-D1710, Type 1, Grade 1
Gasket	Silicone Rubber, A-A-59588

CONNECTOR WEIGHT (Each)

0.74 ounces (21.09 grams)

RoHS COMPLIANT

Complies to RoHS Standards

INSTALLATION

Center Contact

M22520 / 1-01 Tool
Selector Dial Setting #8
Positioner : M22520 / 1-09

Crimp Ferrule

M22520 / 5-01 Tool
M22520 / 5-11 Die Set
(.213" A hex)

Finish :

Body, Ferrule	Nickel
Center Contact	Gold

APPLICABLE STANDARDS

MIL-STD 348, MIL-PRF-39012

Notes :

- 1) A 1.5" piece of Raychem ATUM heat shrink P/N ATUM-12/3-0 provided with connector for purpose of strain relief & moisture protection.
- 2) Please refer to T-1501XX Termination Instruction sheet for strip dimensions & instructions.