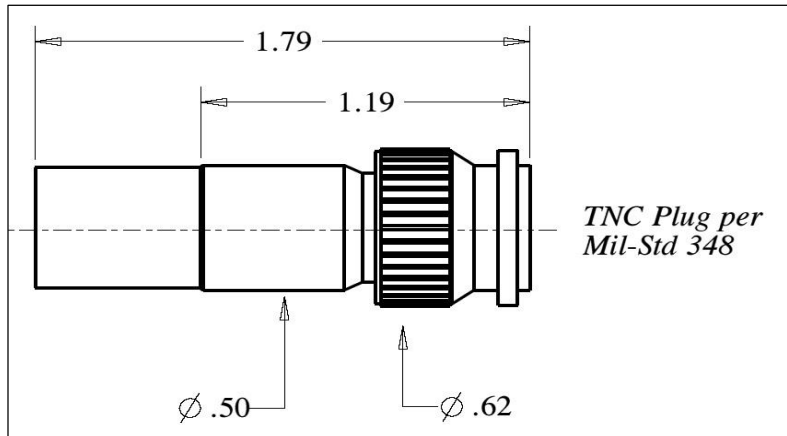


A Division of the Angelus Corporation  
 Ph (262) 246-0500 Fax (262) 246-0450 www.picwire.com  
 N220 W1051 Springdale Road, Waukesha, WI 53186

Approved : *FMB*  
 Distribution : USER

Date : 03/02/15  
 Rev. 4 (06/23/22)  
 Uncontrolled if Printed

**TNC 50 Ohm Straight Plug**  
 for UH22089



Features Not Shown : Safety Wire Holes, Gasket in Front

**PERFORMANCE**

Nominal Impedance :	50 Ohms
Frequency Range :	0 - 12 GHz
Voltage Rating :	500 V(rms)
Insulation Resistance :	5000 Megohms
DW Voltage :	1500 V (rms)
Insertion Loss (max) :	0.20 dB max @ 12 GHz
Insertion Loss :	$0.06 \sqrt{F(\text{GHz})}$
Temperature Rating :	-65° to +165° C

**CONNECTOR WEIGHT (Each)**

1.13 ounces (31.98 grams)

**RoHS COMPLIANT**

Complies to RoHS Standards

**INSTALLATION**

**Center Contact**

Solder Only

**Crimp Ferrule**

M22520 / 5-01 Tool  
 M22520 / 5-25 Die Set  
 (.429" A hex)

**CONSTRUCTION**

**Materials:**

Body	Brass, ASTM-B16, Alloy UNS 36000, H02
Outer Contact	Beryllium Copper, ASTM-B196, Alloy UNS C17300
Cable Contact	Brass, ASTM-B16, Alloy UNS 36000, H02
Ferrule	Brass, ASTM-B16, Alloy UNS 36000, Dead Soft, Or Copper, ASTM-B152, Alloy C12200 Or Tellurium Copper, ASTM B301 C14500, H02
Dielectric	TFE Fluorocarbon, ASTM-D1710, Type 1, Grade 1
Gasket	Silicone Rubber

**Finish :**

Body, Ferrule	Nickel
Center Contact	Gold

**APPLICABLE STANDARDS**

MIL-STD 348, MIL-PRF-39012

**Notes :**

- 1) A 2.0" piece of Raychem ATUM heat shrink P/N ATUM-16/4-0 provided with connector for purpose of strain relief & moisture protection.
- 2) Please refer to T-1504XX Termination Instruction sheet for strip dimensions & instructions.