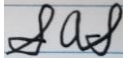
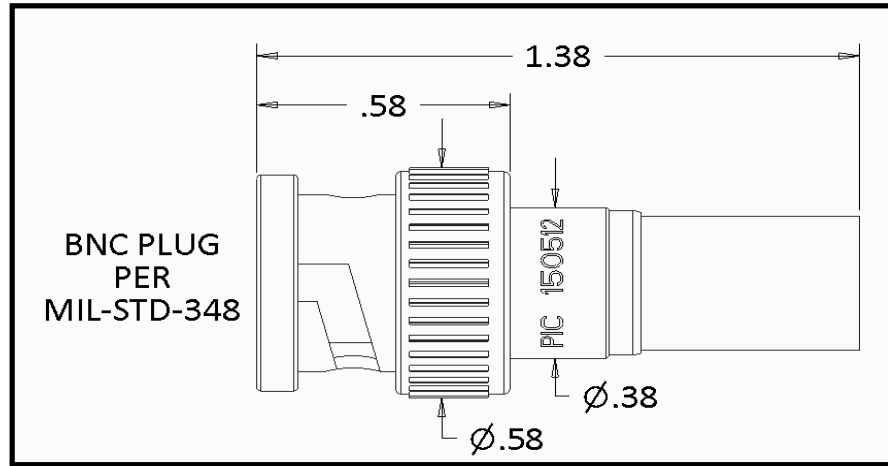


<b>PIC Wire &amp; Cable</b>	<b>Connector Specification</b>	<b>P/N 150512</b>
A Division of the Angelus Corporation Ph (262) 246-0500 Fax (262) 246-0450 www.picwire.com N220 W1051 Springdale Road, Waukesha, WI 53186	Approved : 	Date : 03/02/15
	Distribution : USER	Rev. 5 (07/21/23)
		Uncontrolled if Printed

**BNC 50 Ohm Straight Plug**  
for UH67163



Features Not Shown : Gasket in Front

**PERFORMANCE**

Nominal Impedance :	50 Ohms
Frequency Range :	0 - 4 GHz
Voltage Rating :	500 V(rms)
Insulation Resistance :	5000 Megohms min.
DW Voltage :	1500 V (rms)
Insertion Loss (max) :	0.24 dB max @ 4 GHz
Insertion Loss :	0.12 $\sqrt{F(\text{GHz})}$
Temperature Rating :	-65° to +165° C

**CONNECTOR WEIGHT (Each)**

0.60 ounces (17.01 grams)

**RoHS COMPLIANT**

Complies to RoHS Standards

**INSTALLATION**

**Center Contact**

Solder Only

**Crimp Ferrule**

M22520 / 5-01 Tool  
M22520 / 5-41 Die Set  
(.290" A hex)

**CONSTRUCTION**

**Materials:**

Body	Brass, ASTM-B16, Alloy UNS 36000, H02
Outer Contact	Beryllium Copper, ASTM-B196, Alloy UNS C17300
Cable Contact	Brass, ASTM-B16, Alloy UNS 36000, H02
Ferrule	Tellurium Copper, ASTM-B301, C14500, H02 Or Brass, ASTM-B16, Alloy UNS 36000, Dead Soft,
Dielectric	TFE Fluorocarbon, ASTM-D1710, Type 1, Grade 1
Gasket	Silicone Rubber PER A-A-59588

**Finish :**

Body, Ferrule	Nickel
Center Contact	Gold

**APPLICABLE STANDARDS**

MIL-STD 348, MIL-PRF-39012

**Notes :**

- 1) A 1.5" piece of Raychem ATUM heat shrink P/N ATUM-12/3-0 provided with connector for purpose of strain relief & moisture protection.
- 2) Please refer to T-1505XX Termination Instruction sheet for strip dimensions & instructions.