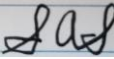
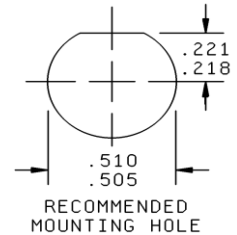
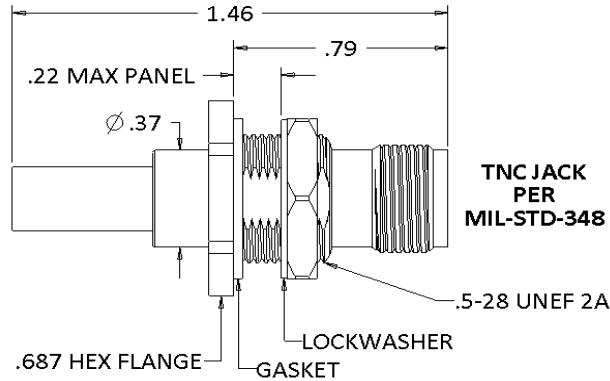


A Division of the Angelus Corporation
 Ph (262) 246-0500 Fax (262) 246-0450 www.picwire.com
 W220N1051 Springdale Rd, Waukesha, WI 53186

Approved : 
 Distribution : USER

Date : 03/02/15
 Rev. 5 (07/21/23)
 Uncontrolled if Printed

TNC (50 Ohm) Bulkhead Jack
 for UH67163



Recommended Jam Nut Torque - 35 to 40 in. lbs.

PERFORMANCE

Nominal Impedance :	50 Ohms
Frequency Range :	0 - 12 GHz
Voltage Rating :	500 V(rms)
Insulation Resistance :	5000 Megohms min.
DW Voltage :	1500 V (rms)
Insertion Loss (max) :	0.20 dB max @ 12 GHz
Insertion Loss :	0.06 $\sqrt{F(\text{GHz})}$
Temperature Rating :	-65° to +165° C

CONSTRUCTION

Materials:

Body	Brass, ASTM-B16, Alloy UNS 36000, H02
Cable Contact	Beryllium Copper, ASTM-B196, Alloy UNS C17300
Ferrule	Tellurium Copper, ASTM-B301 C14500, Temper H02 Or Brass, ASTM-B16, Alloy UNS 36000, Dead Soft,
Dielectric	TFE Fluorocarbon, ASTM-D1710, Type 1, Grade 1
Gasket	Silicone Rubber per A-A-59588

Finish :

Body, Ferrule	Nickel
Center Contact	Gold

CONNECTOR WEIGHT (Each)

0.79 ounces (22.45 grams)

RoHS COMPLIANT

Complies to RoHS Standards

INSTALLATION

Center Contact

Solder Only

Crimp Ferrule

M22520 / 5-01 Tool
 M22520 / 5-41 Die Set
 (.290" A hex)

Notes :

- 1) A 1.5" piece of Raychem ATUM heat shrink P/N ATUM-12/3-0 provided with connector for purpose of strain relief & moisture protection.
- 2) Please refer to T-1505XX Termination Instruction sheet for strip dimensions & instructions.