


**PIC Wire & Cable****Connector Specification****P/N 190806**

A Division of the Angelus Corporation  
 Ph (262) 246-0500 Fax (262) 246-0450 www.picwire.com  
 PO Box 330 Sussex, WI 53089

Approved : 

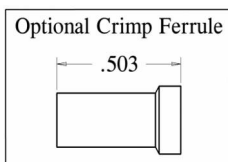
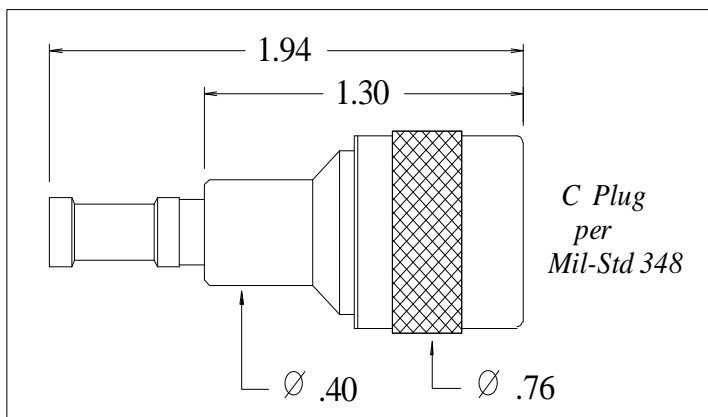
Date : 10/22/01

Rev. 5 (04/09/15)

Distribution : USER

Uncontrolled if Printed

**C Straight Plug**  
 for PIC Cables S83204, S86208, S88207

**PERFORMANCE**

Nominal Impedance	50 Ohms
Frequency Range	0 - 12 GHz
Voltage Rating	1000 VRMS
Insulation Resistance	5000 Megohms

**CONNECTOR WEIGHT (Each)**

1.25 ounces (35.44 grams)

**RoHS COMPLIANT**

Complies to RoHS Standards

**INSTALLATION****Center Contact**

M22520 / 2 - 01 Tool,  
 Selector Dial @ # 8  
 Recommended Positioner :  
 PIC P/N 110205 (Daniels K224-1)  
 (Alternate - Daniels K224)

**Weatherproofing Crimp Ferrule**

M22520 / 5 - 01 Tool,  
 PIC 190818 Hex Crimp Die  
 (.186/.222 hex)

**Optional Crimp Ferrule**

M22520 / 5-01 Tool,  
 \*MIL Spec M22520 / 5-09  
 (.178 A hex)

\* Note - MIL Spec die to be used on smaller diameter area of "optional" crimp ferrule only. Not the larger "Bell" area on end.

**CONSTRUCTION****Materials:**

Body	Brass, ASTM-B16, Alloy UNS 36000, H02
Center Contact	Brass, ASTM-B16, Alloy UNS 36000, H02
Ferrule	Brass, ASTM-B16, Alloy UNS 36000, Dead Soft, Weatherseals included
Dielectric	TFE Fluorocarbon, ASTM-D1710, Type 1, Grade 1

**Finish :**

Body, Ferrule	TRI-M3
Coupling Nut	Nickel
Center Contact	Gold

**Applicable Standards**

MIL-STD 348  
 MIL-PRF-39012

**Notes :**

- 1) A 2.0" piece of Raychem ATUM heat shrink P/N ATUM-12/3-0 provided with connector for purpose of strain relief & moisture protection.
- 2) Please refer to T-1908XX Termination Instruction sheet for strip dimensions & instructions.