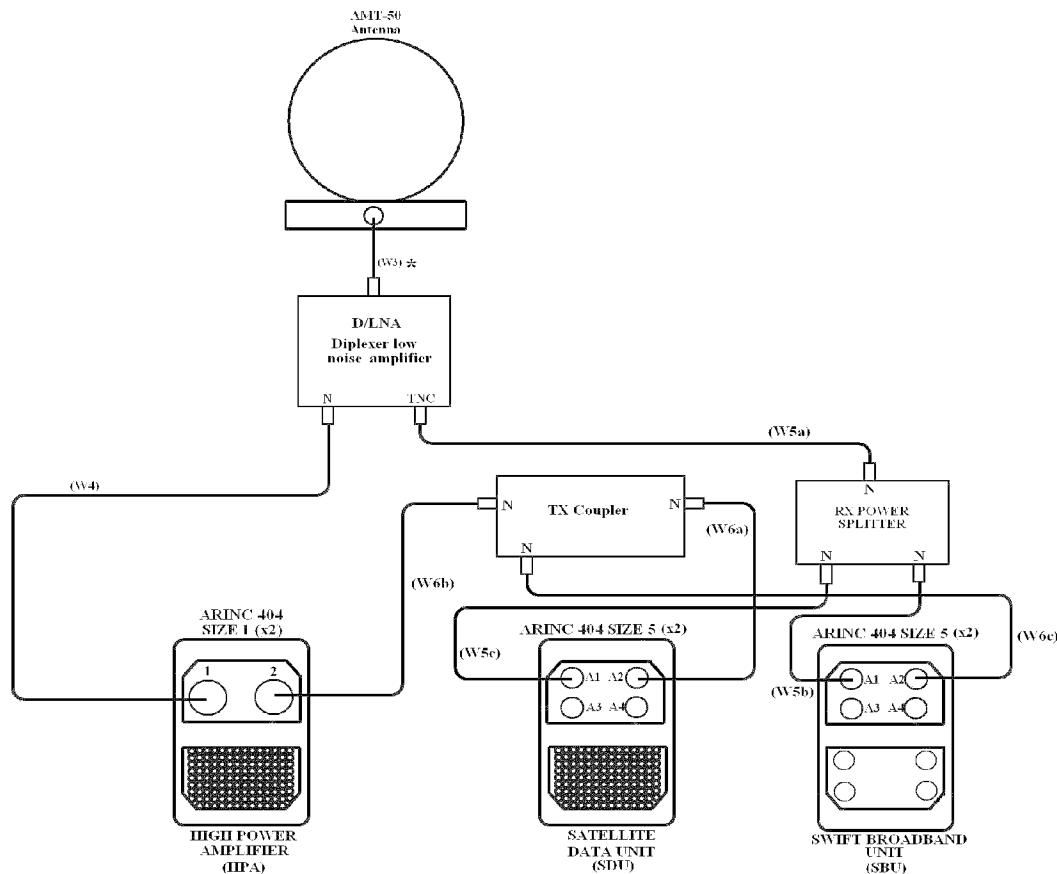


# AERO-SB+ RF CABLE WORKSHEET

With AMT-50 Antenna Sub-System



**CABLE ASSEMBLY INFO:**

W4 - LENGTH: \_\_\_\_\_  
 CONN ANGLE: @ D/LNA. \_\_\_\_\_

W5a - LENGTH: \_\_\_\_\_  
 CONN ANGLE: @ D/LNA. \_\_\_\_\_ @ Splitter \_\_\_\_\_

CONNECTOR ORIENTATION (if any): \_\_\_\_\_

W5b - LENGTH: \_\_\_\_\_  
 CONN ANGLE: @ Splitter \_\_\_\_\_

W5c - LENGTH: \_\_\_\_\_  
 CONN ANGLE: @ Splitter \_\_\_\_\_

W6a - LENGTH: \_\_\_\_\_  
 CONN ANGLE: @ Coupler \_\_\_\_\_

W6b - LENGTH: \_\_\_\_\_  
 CONN ANGLE: @ Coupler \_\_\_\_\_

W6c - LENGTH: \_\_\_\_\_  
 CONN ANGLE: @ Coupler \_\_\_\_\_

\* W3 Cable is an integral part of antenna.

LABELING: Standard labeling is P/N, S/N & connection Info.

**Cable (Test) Requirements :**

Insertion Loss:

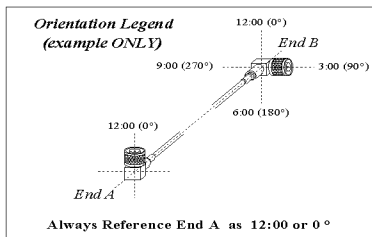
- W3 + W4 - 2.6 dB max @ 1.6 GHz including DLNA (0.8 dB).
- W5a+W5b+Splitter (3.5 dB) - 3 to 25 dB max @ 1.6 GHz.
- W5a+W5c+Splitter (3.5 dB) - 3 to 25 dB max @ 1.6 GHz.
- W6a+W6b - 11 dB max @ 1.6 GHz.
- W6c - Same loss as W6a (+/- 2.5 dB) @ 1.6 GHz.
- W7 - 17 dB max @ 1.6 GHz.

VSWR: 1.5:1 max for each antenna cable.

**Connector Orientation**

(Assemblies ≤ 20 ft with (2) 90° Connectors)

Config. Depicted : End B is **3:00** or **90°** from end A.



**CUSTOMER INFORMATION:**

CUSTOMER : \_\_\_\_\_

CONTACT : \_\_\_\_\_

PH # : \_\_\_\_\_

DATE : \_\_\_\_\_

NEED CABLES BY : \_\_\_\_\_

NEED QUOTE BY : \_\_\_\_\_